

QTY	Ref	Item Number	Description
4'	1	025-00046	WIRE,PVC 18AWG 300V TWSTD,OP
5'	2	025-00099	WIRE,PVC 18AWG 300V TWSTD,
26'	3	025-00057	WIRE,TWSTD,18AWG,OV BLKJACKET
100'	4	W100134P	CABLE,18/2 R/B GRV JKT 105C
7	C1	030-00109	Plug, 8PIN, 5.08mm,BLK/ORG
13	C2	030-00104	Plug, 2PIN, 2.08mm,BLK/ORG
5	C3	030-00107	Plug, 4PIN, 5.08mm, BLK/ORG
1	P1	062-00189	PWRSPLY,24V,96W
1*	5	800118	WIRE,PVC 18AWG 300VSTR VIOLET
90	-	030-00112	BULK,FERRULE,.75/14MM WHT
2	-	030-00113	TWIN,FERRULE,.75/14MM WHT

030-00109



Pin 1

030-00107



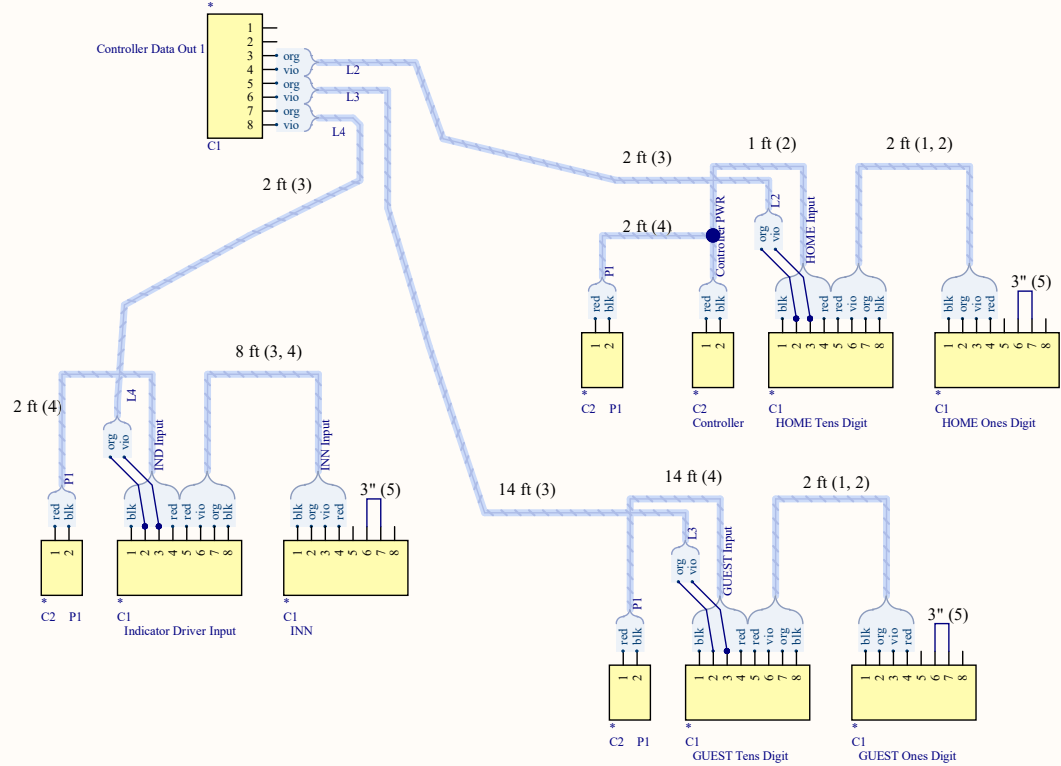
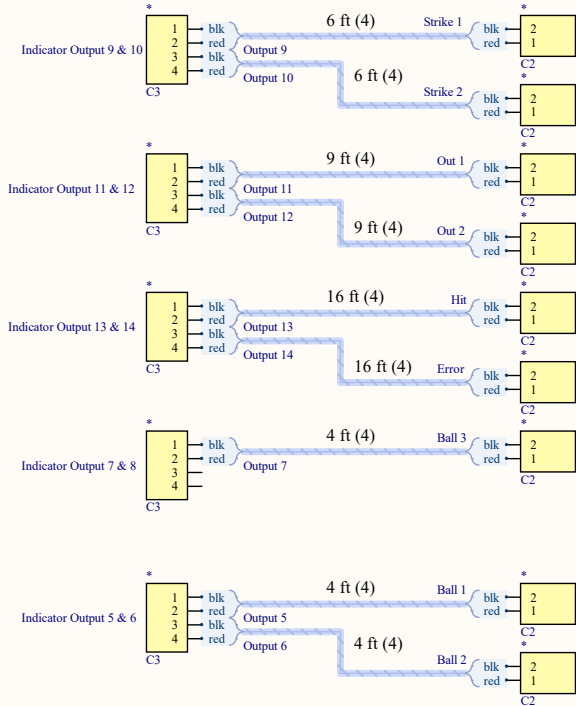
Pin 1

030-00104



Pin 1

Cable specification [length (cable reference)]



Instructions

1. Cut the cable (refer to the reference number) to length. Label each end.
2. Crimp twin ferrule, 030-00113 to the end of wires going into C2 Controller.
3. Crimp ferrule, 030-00112 to the ends of each cable wire.
4. Insert wire into connectors (C1, C2, C3) according to pinout.

Title **BA9143 Harnesses**

ALL AMERICAN
SCOREBOARDS